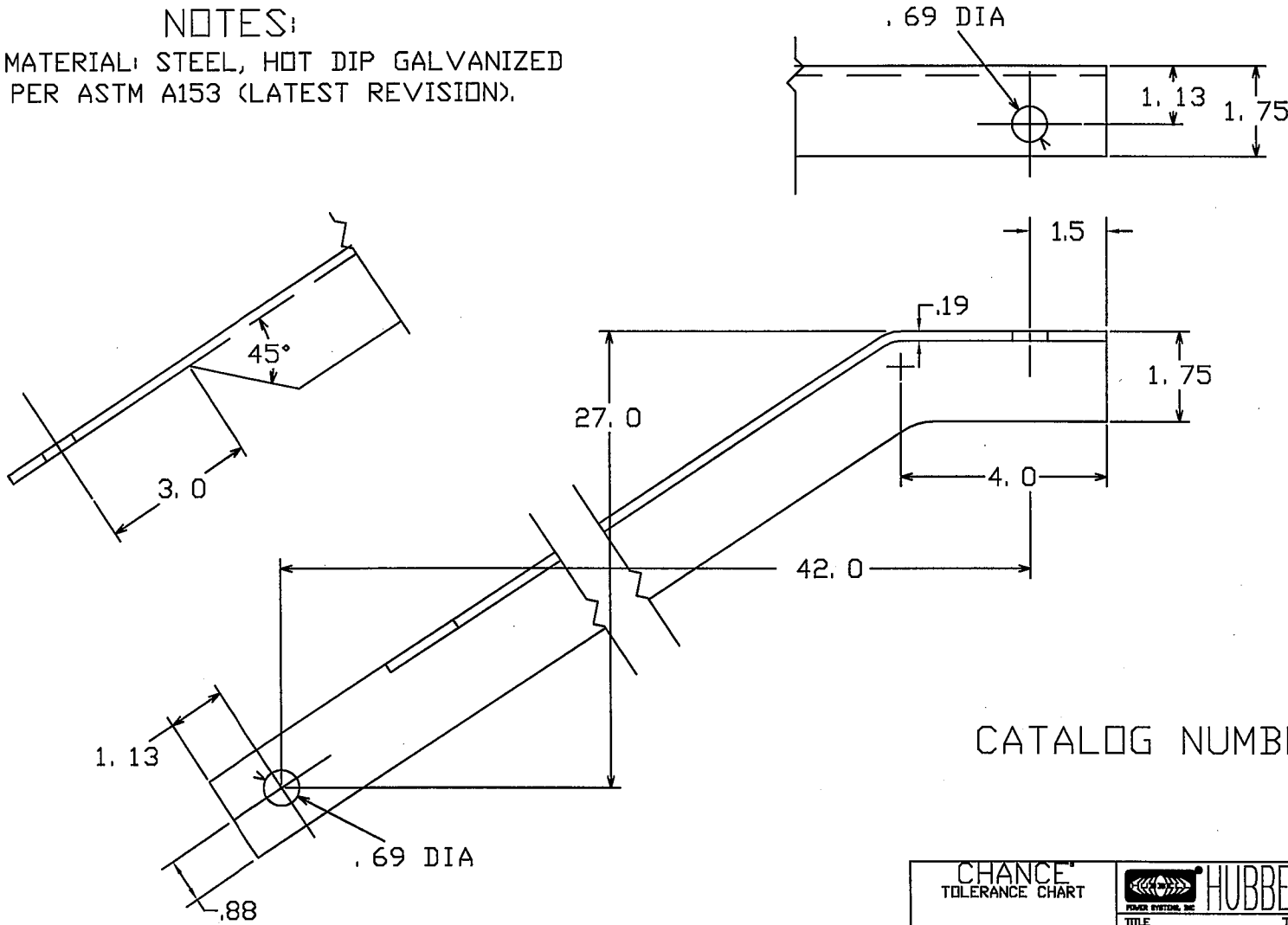



NOTES:

1.) MATERIAL: STEEL, HOT DIP GALVANIZED PER ASTM A153 (LATEST REVISION).



CATALOG NUMBER: 6999

CHANCE TOLERANCE CHART		 <b>HUBBELL POWER SYSTEMS</b> POWER SYSTEM, INC.		
CONFIDENTIAL: THIS DRAWING AND ITS CONTENTS ARE CONFIDENTIAL AND THE EXCLUSIVE PROPERTY OF HUBBELL POWER SYSTEMS. NO PUBLICATION, DISTRIBUTION OR COPIES MAY BE MADE WITHOUT THE WRITTEN CONSENT OF HUBBELL POWER SYSTEMS. HUBBELL POWER SYSTEMS UNPUBLISHED ALL RIGHTS RESERVED UNDER THE COPYRIGHT LAWS.		TITLE <b>BRACE, ALLEY ARM</b>		REV --
SIZE	DWG NO.	CAT / PART / ASSY NO.		
SB	SA6999	6999		
DO NOT SCALE THIS DRAWING	DRN BY JJL	DATE 04/02/08	SHEET 01 OF 01	